

**PRIOLO FloWise® 16-1/2" HEIGHT 1.28 GPF  
with EVERCLEAN®**

- Floor mount rear outlet flushometer valve toilet
- Vitreous china
- Meets definition for HET (High Efficiency Toilet)
- High Efficiency low consumption (4.8 Lpf/1.28 gpf)
- EverClean® surface inhibits the growth of stain- and odor-causing bacteria, mold, and mildew on the surface
- 16-1/2" rim height for accessible application
- Condensation channel
- Elongated bowl
- Powerful direct-fed siphon jet action
- Fully glazed 2-1/8" trapway
- 1-1/2" inlet spud
- 2 bolt caps
- 100% factory flush tested

- 3695.128** Elongated bowl only, top spud
- 3695.001** Same as above, Universal Bowl
- 3697.128** Elongated bowl only, back spud
- 3697.001** Same as above, Universal Bowl
- 3696.128** Elongated bowl only, top spud with slotted rim for bedpan holding (White only)
- 3696.001** Same as above, Universal Bowl
- 3698.128** Elongated bowl only, back spud with slotted rim for bedpan holding (White only)

**Component Parts:**

- 047007-0070A** Inlet spud (furnished with bowl)
- 481310.XXX0A** Bolt caps with retainers (furnished with bowl)

**Nominal Dimensions:**

752 x 356 x 438mm  
(29-5/8" x 14" x 17-1/4")

Recommended working pressure—between  
25 psi at valve when flushing and 80 psi static

Fixture only, less seat and flushometer valve

**Compliance Certifications -**

**Meets or Exceeds the Following Specifications:**

- ASME A112.19.2-2008/CSA B45.1-08 for Vitreous China Fixtures



SEE REVERSE FOR ROUGHING-IN DIMENSIONS

**To Be Specified:**

- Color:  White  Bone  Linen
- Seat:
  - American Standard #5901.110 Heavy duty open front less cover with Everclean® surface
  - American Standard #5905.110 Extra heavy duty open front less cover with Everclean® surface
- Alternative Seat:
- Flushometer Valve:
  - American Standard Selectronic™ #6065.121.002 DC Power (Top Spud)
  - American Standard Selectronic™ #6065.221.007 DC Power (Back Spud)
  - American Standard Selectronic™ #6067.221.007 AC Power (Back Spud)
  - American Standard Selectronic™ #6068.221.007 Multi AC Power (Back Spud)
- Alternative Flushometer Valve

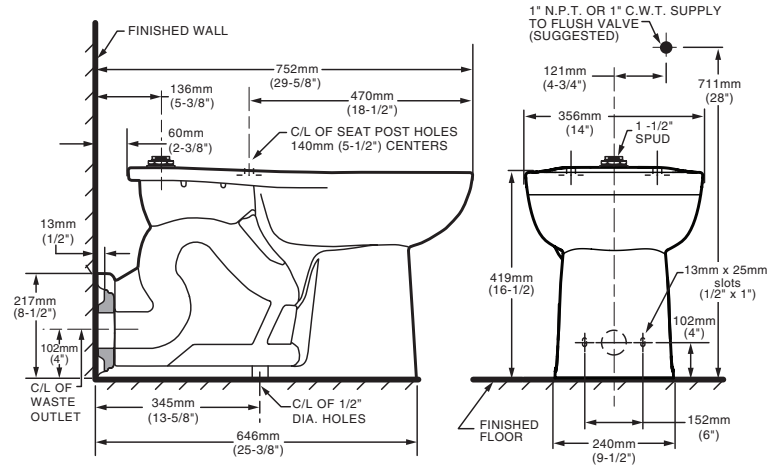


MEETS THE AMERICANS WITH DISABILITIES ACT GUIDELINES  
AND ANSI A117.1 REQUIREMENTS FOR ACCESSIBLE AND USABLE  
BUILDING FACILITIES - CHECK LOCAL CODES.

EVERCLEAN®  
Surface

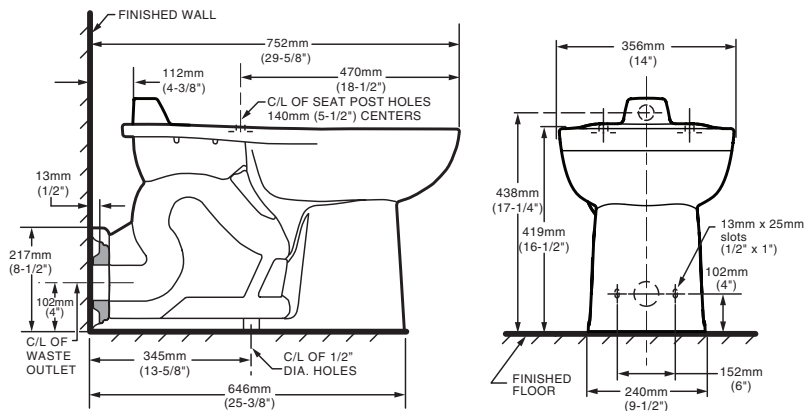


**3695.128/3696.128**  
**3695.001/3696.001**



**DIMENSIONS (Nominal) NOTE:** Distance from floor to closet flange centerline (rough-in) must be 4" (102 mm) with flange surface flush to 1/16" (1.6mm) max. beyond finished wall.

**3697.128/3698.128**  
**3697.001**



**DIMENSIONS (Nominal) NOTE:** Distance from floor to closet flange centerline (rough-in) must be 4" (102 mm) with flange surface flush to 1/16" (1.6mm) max. beyond finished wall.

**NOTES:**

PRODUCTS 3695 AND 3696 SHOWN, 3697 AND 3698.160 SAME AS EXCEPT WITH SLOTTED RIM FOR BED PAN HOLDING.  
TO COMPLY WITH AREA CODE GOVERNING THE HEIGHT OF VACUUM BREAKER ON THE FLUSHOMETER VALVE, THE PLUMBER MUST VERIFY DIMENSIONS SHOWN FOR SUPPLY ROUGHING.  
FLUSHOMETER VALVE NOT INCLUDED WITH FIXTURE AND MUST BE ORDERED SEPARATELY. FLUSHOMETER VALVE REQUIREMENTS FOR 12" (305MM) ROUGH-IN: SWEAT EXTENSION NIPPLE IS REQUIRED. REFER TO VALVE MANUFACTURER AND LOCAL CODES.

**IMPORTANT:** Dimensions of fixtures are nominal and may vary within the range of tolerances established by ANSI Standard A112.19.2. These measurements are subject to change or cancellation. No responsibility is assumed for use of superseded or voided pages.